

“Light Shield”

Brief

“Light Shield” is advanced RWR/ESM/ELINT small form factor Receiver allowing extended operational capabilities in the modern electromagnetic/EW battlefield.

It covers all RF bands of interest from VHF up to KU. SWaP system for multi-purpose use cases:

- Intelligence raids - ELINT/SIGINT selective data acquisition according to apriori information.
- Assault support - Early detection of hostile sensor activity, building safe corridors for approaching.
- ESM - Building the electromagnetic battlefield situational awareness and triggering countermeasures.

Technical approach

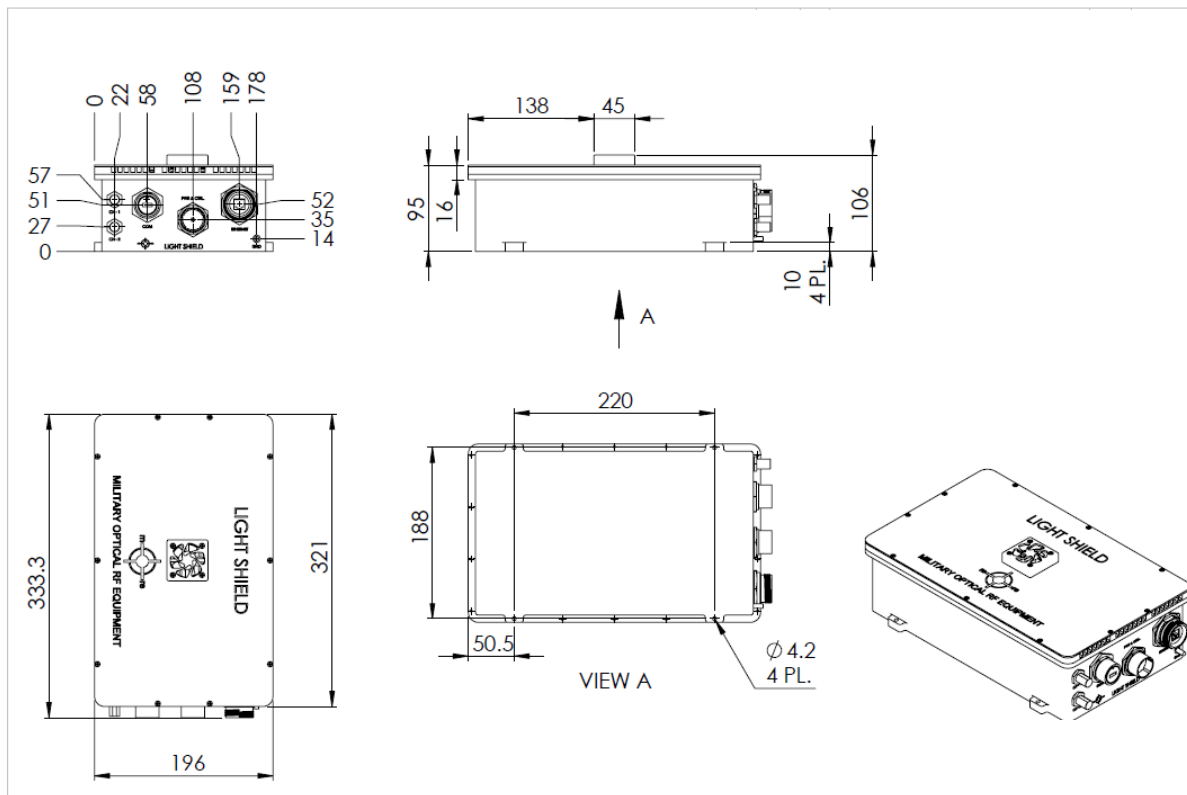
”Light Shield” is a combination of an ELINT and RWR/ESM systems.

The system provides the capability of electromagnetic activity surveillance for intelligence purposes in addition to the capabilities of building of the battlefield situational awareness of the hostile sensors that can threaten the platform or friendly forces and further to assist tactical assault forces in gaining rapid insertion, access and egress to and from objectives.

The Electro-magnetic scenario becomes dense and dynamic mixture of signals distributed over a wide frequency range and geo-location. It is characterized by complex waveforms (FMCW, Barker, hoppers, low power, etc.). As a result, the proliferation of modern emitters in EW/ELINT arena compromises the effectiveness of state-of-the art ESM systems and challenges stealth mode operations. We provide versatile UWB RF sensing and analysis capabilities to stay ahead of the threat and to win in the battlefield.

Technical Specifications

- Low SWaP RWR/ESM/ELINT system
- Frequency Coverage Bands : HF - KA
- High sensitivity
- High Instantaneous Bandwidth
- High Dynamic Range
- DF and Geolocation capabilities
- PDW and Raw Data recording for advance processing capabilities
- Advanced signal processing algorithms and hardware
- Automated processing of SIGINT data
- Advanced data analytics (near real time and post-processing)



MORE_LS_06_21_un