

“Light Suite”

Brief

“Light Suite” is a multi-mission integrated Electronic Intelligence and Electronic Warfare system.

“Light Suite” enables domination of a variety of operational scenarios, starting with low footprint deception of specific threats and selectively increasing impact up to intensive engagement of the entire arena.

The low SWaP “Light Suite” designed for small platforms installations.

The system supports Electronic Intelligence (ELINT) operations in addition to state of the art Electronic Warfare capabilities that may use in various operational scenarios including Self Protection and Escort Jamming.

RWR/ESM/ELINT

The RWR/ESM/ELINT section incorporating several Digital Receiver channels based on a super heterodyne configuration.

The section provides the capability of electromagnetic activity surveillance for intelligence purposes. In addition to the capabilities of building the battlefield situational awareness of the hostile sensors that can threaten the platform or friendly forces.

Electronic Attack

The EA section, equipped with innovative RF-Photonics and DRFM technology, are capable of generating advanced EW techniques. On top of the state-of-the-art DRFM channel, the RF-photonics design allows operation in ultra-wide instantaneous bandwidth and generation of sophisticated multi-target scenarios without being dependent on detection of the radars' signals. Furthermore, our solution simultaneous engagement of multiple emitters in a single channel. The threats that we cover vary from legacy radars to modern state-of-the-art imaging, multi-sensor and LPI systems operating in various spectral bands while utilizing complex wave-forms.

The system has been tested in a wide variety of operational scenarios and has proven its efficiency.

RWR/ESM/ELINT Capabilities

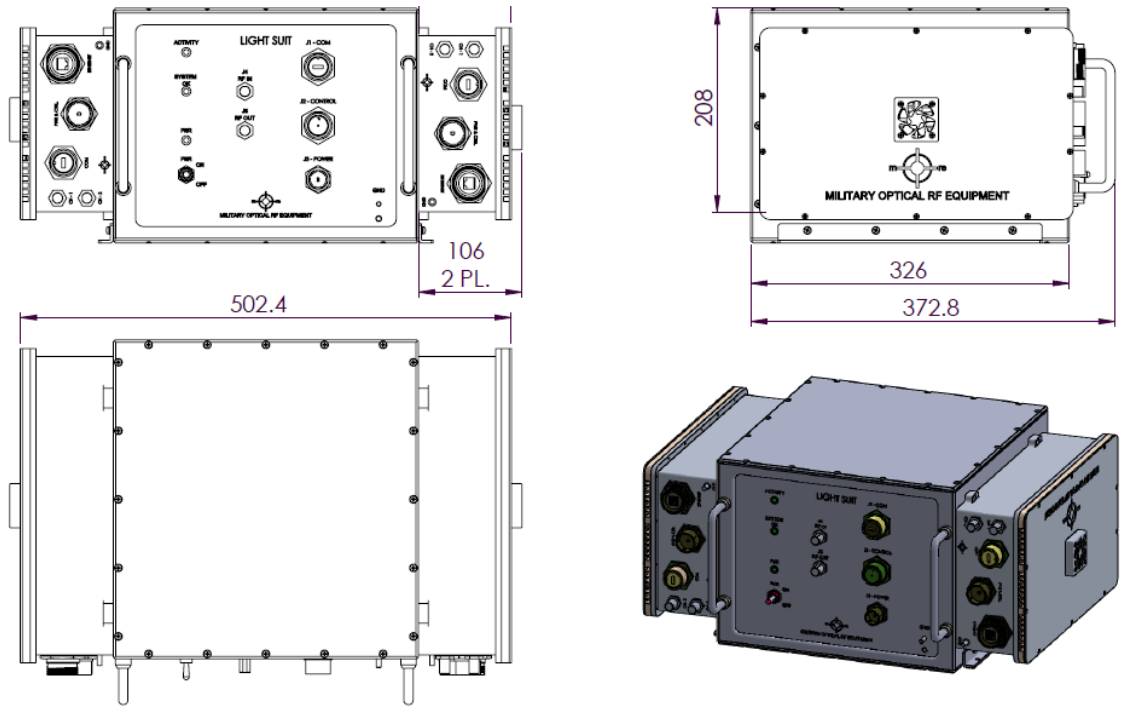
- Situational awareness and real-time creation of Electronic Order of Battle
- High Probability of Interception
- High Sensitivity and Dynamic Range
- Streaming Pulse Descriptor Word
- Selective threats Raw Data recording for advance processing capabilities
- Electronic Attack section management and control
- Chaff management control

Electronic Attack Capabilities

The following techniques can be implemented with or without detection of the threats.

- CRVGPO
- Range Doppler Cover Pulse
- False Targets
- Phase Modulation
- Amplitude Modulation

Mechanical Dimension



MORE_LS_06_21_un